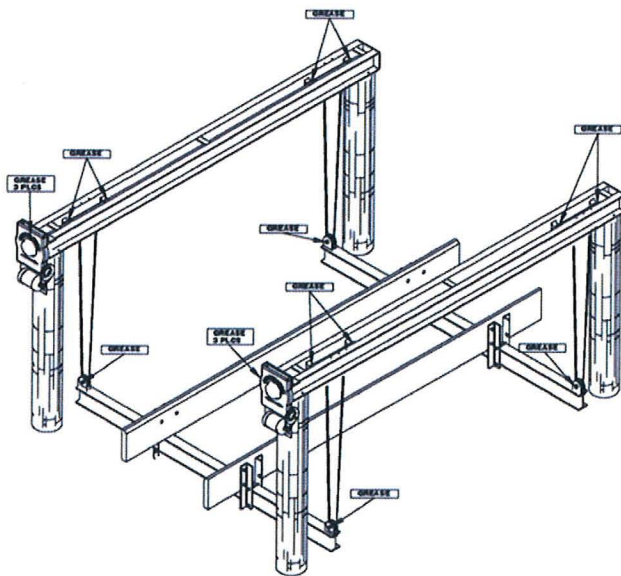


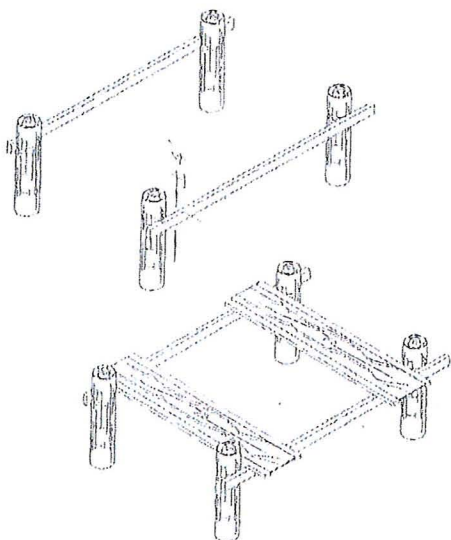
REQUIRED TOOLS FOR THE INSTALLATION OF: **4-POST LIFTS**



- Small Chain Saw
- 10" Level
- 24" Level
- 2 - $\frac{9}{16}$ " Open End Box Wrench
- 2 - $\frac{1}{2}$ " Open End Box Wrench
- $\frac{7}{16}$ " Open End Box Wrench
- $\frac{3}{4}$ " Open End Box Wrench
- 8" Phillips Screwdriver
- 8" Straight Screwdriver
- $\frac{1}{2}$ " Drive Ratchet
- $\frac{9}{16}$ " Deep Well Socket
- $\frac{1}{2}$ " Deep Well Socket
- $\frac{3}{4}$ " Deep Well Socket
- PVC Pipe Cutter
- (Elect. PVC to 1")
- Electrician's Pliers
- Claw Hammer
- Cable Cutters
- Bolt Cutters
- $\frac{3}{8}$ " Battery Operated Drill
- $\frac{1}{4}$ " Drill Bit
- $\frac{3}{8}$ " Drill Bit
- 36" Industrial Extension
- Ladder 2-18" Sections
- 2 - 2"x8"x16' Scaffold Boards
- 4 - 1"x6"x16' Scaffold Boards
- Water Level (optional)

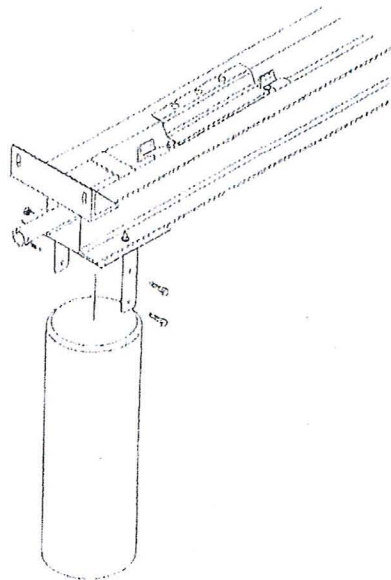
4 POST LIFT INSTALLATION

PILING PREPARATION



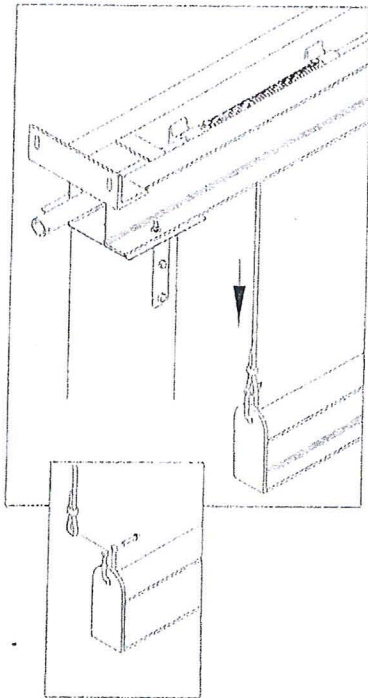
- Scaffold the 4 pilings (as shown at the right.)
- Nail 2 - 2"x8"x16' boards approximately 4' down from the top of the pilings. (Fig. 1)
- Run (2) two pieces of extension ladder across the boards (Fig.2)
- Measure the height of the shortest piling to the surface of the water
- Mark the other (3) three pilings at that same height
- Cut all pilings to the measured mark
- Level all piling tops to assure solid seating of cable beams,

MOUNTING CABLE BEAM TO THE PILING



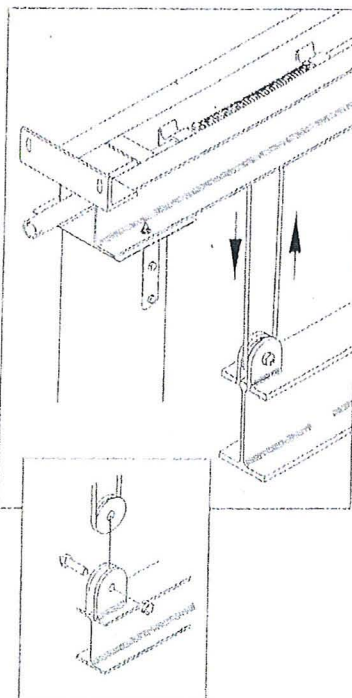
- Remove the 4x4 wood block from the motor mount angle.
- Loosen the stainless steel mounting brackets (front and rear of the beam).
- Lift the cable beam so it rests on the top of pilings. Position the mounting brackets so that they straddle the piling.
- Using a $\frac{3}{8}$ " wrench, tighten the mounting brackets to the cable beam.
- Mark the screw locations and drill $\frac{1}{4}$ " pilot holes in piling (both sides).
- Secure with the $\frac{3}{8}$ " stainless steel lag screws provided.

1,2,3 PART CABLE INSTALLATION



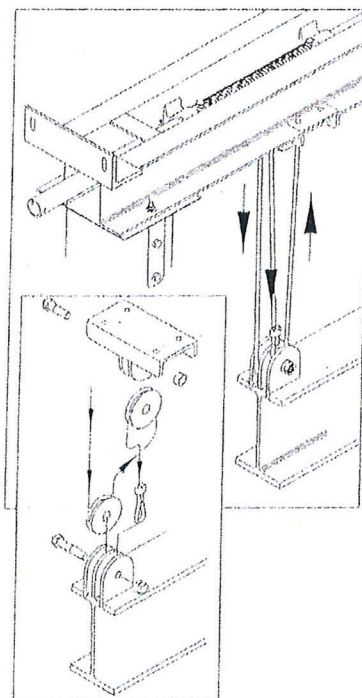
1 PART INSTALLATION

- Remove the screw pin from the shackle.
- Insert the shackle thru the hole in the cradle beam end plate.
- Mate the shackle and the cable thimble and reattach the screw pin.
- Remove wooden wedge.



2 PART INSTALLATION

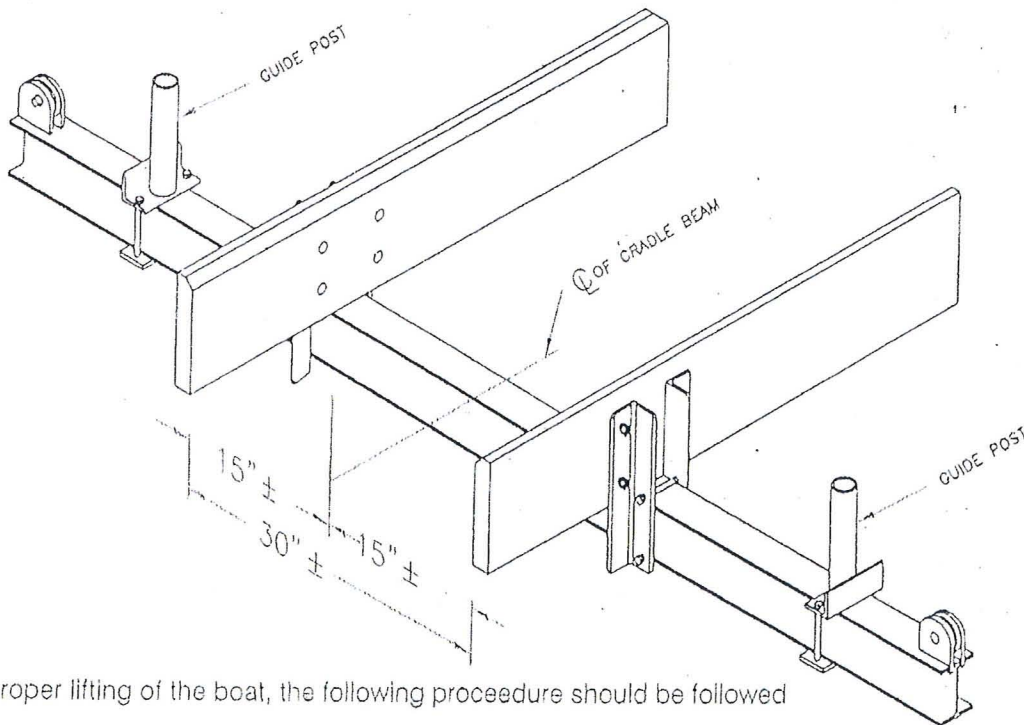
- Detach pulley from cradle beam.
- Loop the cable around the pulley.
- Re-attach the pulley and tighten the pulley axle bolt.
- Remove wooden wedge.



3 PART INSTALLATION

- Detach pulley from cradle beam.
- Loop cable around pulley.
- Re-attach pulley, tighten axle bolt.
- Remove pulley from cable beam.
- Loop cable around pulley.
- Re-attach pulley and tighten axle bolt.
- Remove wooden wedge.

BUNK BOARD INSTALLATION



For proper lifting of the boat, the following procedure should be followed

- Measure the length of the cradle beam
- Place a mark at the center of the distance
- Position the bunk brackets at $15'' \pm$ on each side of the center mark
- Place the bunk boards against the bunk brackets with $12'' \pm$ extending out from the cradle beam
- Drop the cables so that they rest on top of the cradle beam. Make certain the distance is constant for all cables. This will assure the cables wind uniformly on the winders
- Drill (16) sixteen clearance holes for mounting the bunks to the bunk brackets align both bunk boards perpendicular to the cradle beams
- Tighten all connections

GUIDE POST ASSEMBLY

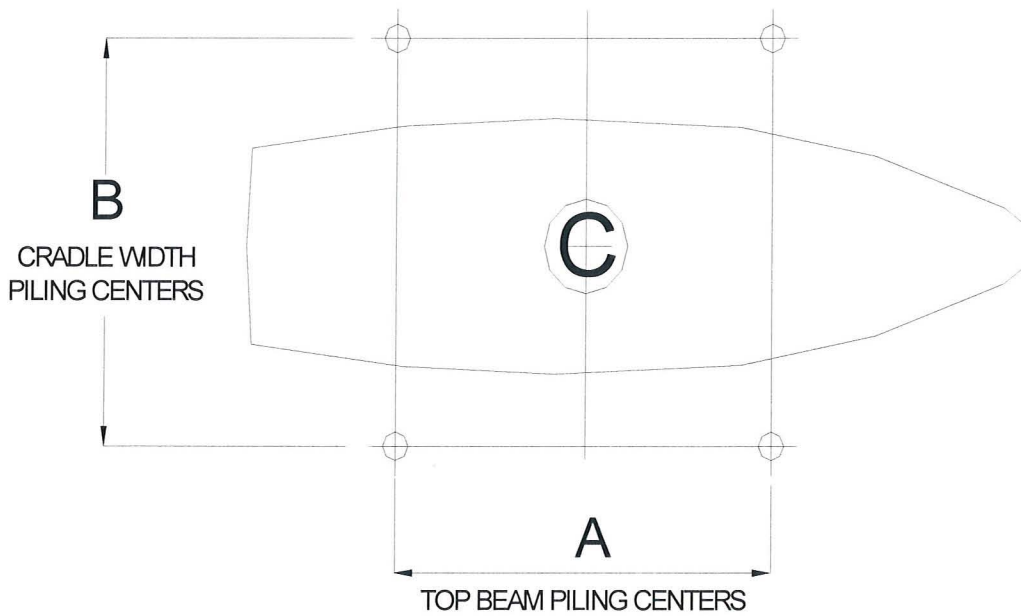
- Measure the beam of the boat to be lifted.
- Using the same center mark as for the bunk boards, mark half the distance on each side of the center mark
- Loosely position the guide posts of the cradle beam. These will be made secure after the boat is positioned on the lift.

ELECTRICAL

- Read all wiring instructions before connecting or changing wires
- Refer to wiring schematic for remote hookup

PILE SPACING CHART

The boat center of gravity
needs to be set in the center
of the top beam



Lift Capacity	"A" Dimension	"B" Dimension	Recommended Pile Diameters
4,500#	11 Ft.	10 Ft.	8 In.
7,000#	12 Ft.	12 Ft.	8 In.
10,000#	12 Ft.	12.5 Ft.	8 In.
12,000#	12 Ft.	12.5 Ft.	9 In.
14,000#	12 Ft.	12.5 Ft.	9 In.
20,000#	14 Ft.	16 Ft.	10 In.
24,000#	16 Ft.	16 Ft.	10 In.

Golden Manufacturing Inc. 17611 East Street N. Ft. Myers, Florida 33917
Toll Free 888-909-5438 Phone 239-337-4141 Fax 239-337-4482 www.goldenboatlifts.com