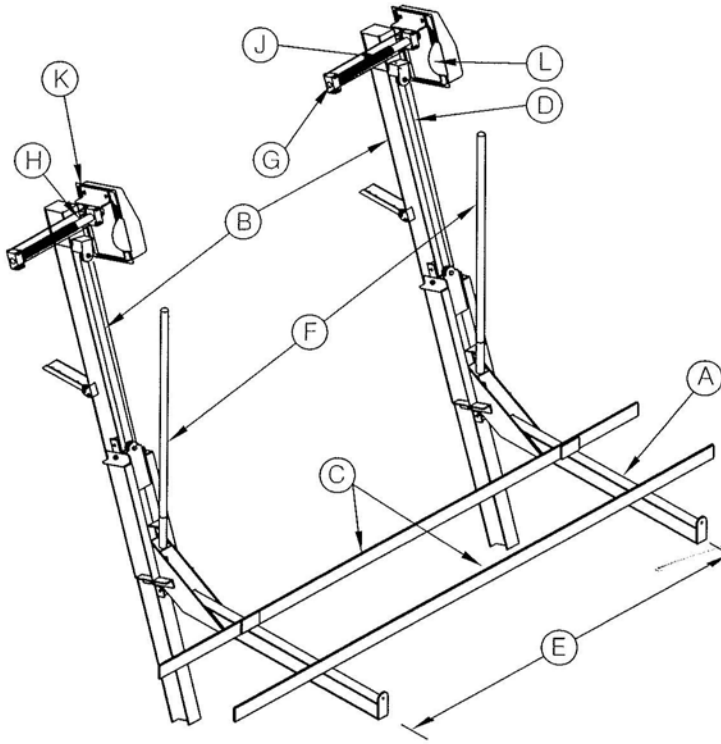


GOLDEN ENGINEERED ELEVATOR LIFT SPECIFICATIONS



STRUCTURAL ENGINEERING REVIEW

THE GRAVITY AND WIND LOADS FOR THIS CONSTRUCTION HAVE BEEN CALCULATED AND MAIN WIND FORCE RESISTING SYSTEM AND COMPONENTS AND CLADDING OF THIS STRUCTURE DESIGN DO COMPLY WITH THE FLORIDA BUILDING CODE 2004, SECT. 1809 FOR WIND PRESSURES GENERATED BY A BASIC WIND SPEED OF 150 MPH.

Richard W. Arnold 1/8/09
Date

Richard W. Arnold
FL License No.19334

Arnold/Sanders Consulting Engineers, Inc.
16681 McGregor Blvd. Suite 102, Fort Myers, FL 33908
Certificate of Authorization 9451
Phone: 239-267-3666 Fax: 239-267-2771
SIGNATURE NOT VALID WITH OUT RAISED SEAL

INCLINE MOUNT OR VERTICAL MOUNT

NOTE: THIS STRUCTURE WILL WITHSTAND LOADS ASSOCIATED WITH WIND SPEEDS OF 150 MPH CALCULATED PER F.B.C.(04 ED) CH 16 & ASCE DOCUMENT 7-02 BOATS SHALL NOT BE STORED ON LIFTS DURING HIGH WIND EVENTS

(A) (B) (C) (D) (E) (F) (G) (H) (J) (K) (L)

| LIFT CAPACITY | CRADLE I-BEAM | TRACK I-BEAM | BUNK BOARDS FEET | CABLE SIZE | TRACK SPREAD | GUIDE POST HEIGHT | BRGS | DRIVE SHAFT | WINDER DIA | GEAR RATIO | MOTOR HP/VOLTAGE | INCHES OF LIFT PER MIN. |
|-----------------------|--|---|---|---|------------------------------------|-------------------|---------------------------------|-----------------------------------|-------------------------------------|------------|--|-------------------------|
| 3,000# | (2) 6 H x .19 4 W x .29 x 7' LG @ 4.03#/FT | (2) 8 H x .23 5 W x .35 x 25' LG. @ 6.18#/FT | 2 - 2 x 8 x 144 ROUGH SAWN CARPETED | 2 - 5/16" Ø x 20' S.S. 2 PART | 7' THRU 10' | 80' | 4 - 2" EXTRUDED 6061-T6 ALUM | 2 - 1/2" Ø SCHEDULE 80 ALUM. PIPE | 2 - 2 1/2" Ø SCHEDULE 80 ALUM. PIPE | 96:1 | 2 - 3/4 HP 120V/20A 240V/10A | 13-1/2" |
| 5,000# & 7,000# | (2) 8 H x .23 5 W x .35 x 8' LG. @ 6.18#/FT | (2) 8 H x .25 5 W x .41 x 25' LG. @ 7.02#/FT | | 2 - 5/16" Ø x 30' S.S. 2 PART | 8' THRU 11' | | | | | | 5,000# 2 - 3/4 HP 7,000# 2 - 1 HP | |
| 10,000# | (2) 9 H x .27 5.5 W x .44 x 8' LG. @ 8.36#/FT | (2) 9 H x .27 5.5 W x .44 x 25' LG. @ 8.36#/FT | | 2 - 5/16" Ø x 30' S.S. 2 PART | | | | | | | 2 - 3/4 HP 120V/20A 240V/10A | |
| 12,000# | (2) 10 H x .25 6 W x .41 x 8' LG. @ 8.65#/FT | (2) 10 H x .25 6 W x .41 x 25' LG. @ 8.65#/FT | 2 - 3 x 10 x 192 ROUGH SAWN CARPETED | 2 - 3/8" Ø x 38' S.S. 3 PART | 8' THRU 14' | 120' | (B) 2" EXTRUDED 6061-T6 ALUM | 2 - 1/2" Ø SCHEDULE 80 ALUM. PIPE | 2 - 2 1/2" Ø SCHEDULE 80 ALUM. PIPE | 96:1 | 2 - 3/4 HP 120V/20A 240V/10A | 9' |
| 15,000# | (2) 10 H x .29 6 W x .50 x 9' LG. @ 10.3#/FT | (2) 10 H x .29 6 W x .50 x 25' LG @ 10.3#/FT | | 2 - 3/8" Ø x 50' S.S. 4 PART | | | | | | | 2 - 1 HP 120V/20A 240V/10A | 6.75" |
| 17,000# | (2) 12 H x .29 7 W x .47 x 10' LG. @ 11.7#/FT | (2) 12 H x .29 7 W x .47 x 10' LG. @ 11.7#/FT | | (2) 8 H x .23 5 W x .35 x 25' LG. CAPPED WITH WOOD AND CARPET | 2 - 3/8" Ø x 50' S.S. 4 PART | | | | | | 10' THRU 16' | 10' |
| 20,000# | (2) 12 H x .31 7 W x .62 x 10' LG. @ 14.3#/FT | (2) 12 H x .31 7 W x .62 x 25' LG. @ 14.3#/FT | 2 - 3/8" Ø x 50' S.S. 4 PART | | 2 - 1 HP 120V/20A 240V/10A | 6.75" | | | | | | |
| 24,000# | (4) 10 H x .29 6 W x .50 x 9' LG. @ 10.3#/FT | (4) 10 H x .29 6 W x .50 x 25' LG @ 10.3#/FT | (2) 8 H x .23 5 W x .35 x 25' LG. CAPPED WITH WOOD AND CARPET | (4) 3/8" Ø x 50' S.S. 3 PART | 10' THRU 16' | 10' | (B) 2" EXTRUDED 6061-T6 ALUM | 2 - 1/2" Ø SCHEDULE 80 ALUM. PIPE | 480:1 | 480:1 | 2 - 1.5 HP 120V/20A 240V/10A | 9' |
| 30,000# | (4) 12 H x .31 7 W x .62 x 10' LG. @ 14.3#/FT | (4) 12 H x .31 7 W x .62 x 25' LG. @ 14.3#/FT | | (4) 3/8" Ø x 50' S.S. 4 PART | | | | | | | 2 - 2 HP 120V/20A 240V/10A | 6.75" |